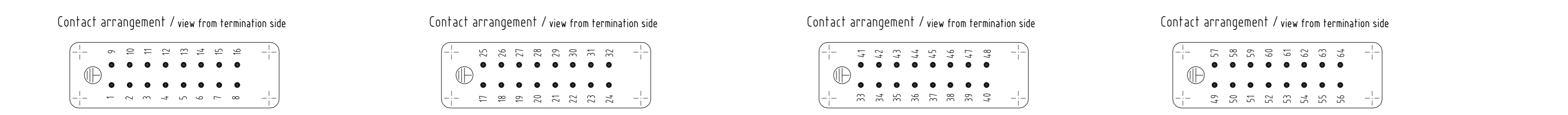
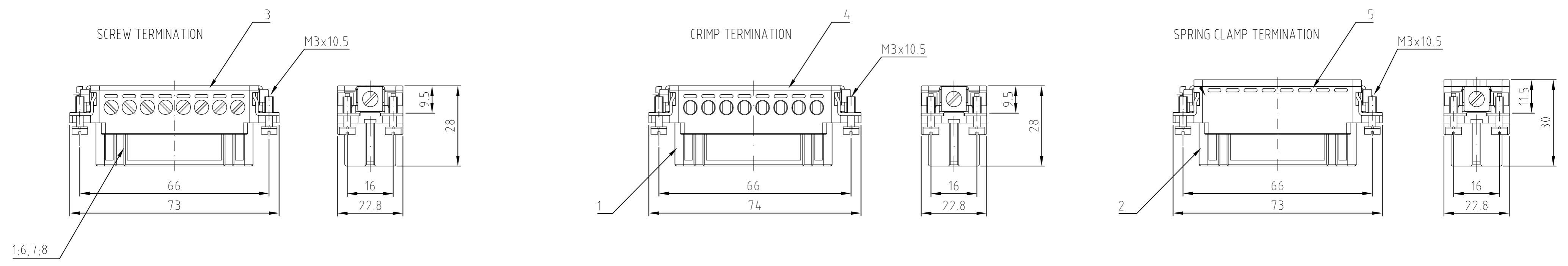
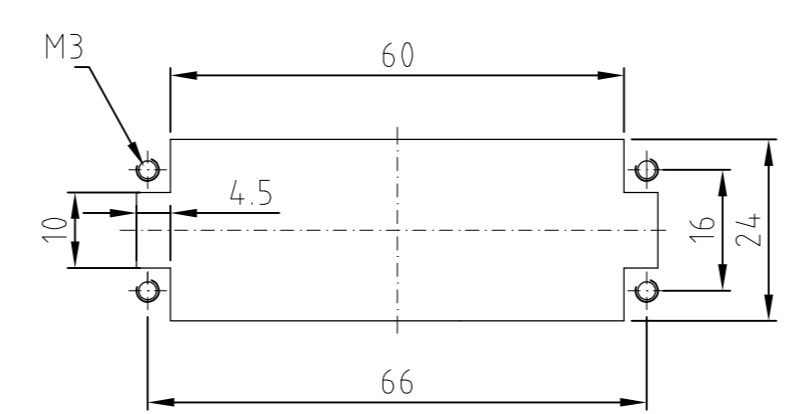


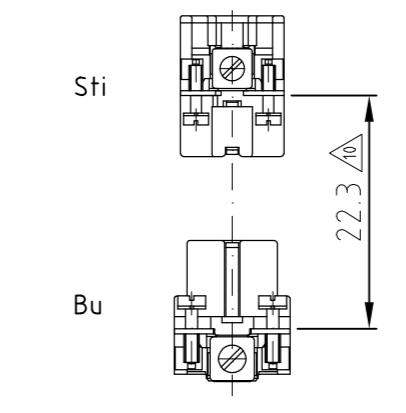
LOC	DIST	REVISIONS			
AI	-	P	LTR	DESCRIPTION	DATE
PROJEKT NR:	-	D3	ECR-15-004594	BESCHREIBUNG	DWN
-	-	-	-	-	APVD
					26MAR15
					RK
					MKO



Panel cut-out for contact insert when used without housing



Assembling instruction



DISTANCE FOR SAFETY CONTACT MARKING MAX. 24 mm

NOTES:

- 1 SUITABLE CRIMP CONTACTS: SERIES HE/HA
OUTER DIMENSIONS OF INSULATION: MAX. Ø3,2 MM
- 2 SUITABLE HOOD SIZE 5; 7; 9; 11: SERIES HA; HD
SUITABLE INSERTION AND EXTRACTION TOOL:
SCREWDRIVER 0,5x3 DIN 5264
- 3 Strip length: Screw connection 10mm
Spring clamp connection 10mm Crimp connection 7.5mm
- 4 STANDARDS:
DIN EN 61984; DIN EN 60664-1
- △ PACKAGING:
5 SETS IN A CARTON, PRE-MOUNTED
- △ SPECIAL PACKAGING: Krauss-Maffei
PACKAGING UNIT: 300 PIECES
- △ SPECIAL PACKAGING: Krauss-Maffei
PACKAGING UNIT: 150 PIECES
- △ SPECIAL PACKAGING: AIS
PACKAGING UNIT: 250 PIECES
- △ SPECIAL PACKAGING: WIELAND
PACKAGING UNIT: 100 PIECES

QTY	DESCRIPTION / BENENNUNG	MATERIAL	COLOR / FARBE	ITEM NO. POS.	REMARKS / BEMERKUNGEN
1	Socket insert screw	PBT	light beige	8	with stainless steel-fixing screw
1	Socket insert screw	PBT	light beige	7	with stainless steel-fixing screw
1	Socket insert screw	PBT	light beige	6	with AU contact
1	Cover	PBT	light beige	5	
1	Cover	PBT	light beige	4	
1	Cover	PBT	light beige	3	
1	Socket insert spring clamp	PBT	light beige	2	
1	Socket insert crimp screw	PBT	light beige	1	

HA.16.Bu.S.B1-16.WIE	HA.16.Bu.S.B1-16.AIS	HA.16.Bu.S.B17-32.KM	HA.16.Bu.S.B1-16.KM	HA.16.Bu.S-V.A.B 1-16	HA.16.Bu.S-V.A.B 17-32	HA.16.Bu.S-A.U.B 1-16	HA.16.Bu.C.B 49-64	HA.16.Bu.S.B 49-64	HA.16.Bu.S.C.B 49-64	HA.16.Bu.S.C.B 33-48	HA.16.Bu.S.B 33-48	HA.16.Bu.C.B 33-48	HA.16.Bu.S.B 17-32	HA.16.Bu.S.C.B 17-32	HA.16.Bu.C.B 17-32	HA.16.Bu.S.C.B 1-16	HA.16.Bu.C.B 1-16
ORDERING TEXT / BESTELLTEXT																	
<p>THIS DRAWING IS A CONTROLLED DOCUMENT FOR AMP INCORPORATED. IT IS SUBJECT TO CHANGE AND THE CONTROLLING ENGINEERING ORGANIZATION SHOULD BE CONTACTED FOR THE LATEST REVISION. DIESES ZEICHNUNGSDOKUMENT WIRD DURCH AMP INCORPORATED KONTROLLIERT. ÄNDERUNGEN, DIE DEM TECHNISCHEN FORTSCHRITT DIENEN, SIND VORBEHALTEN. DEN JEWELIGS LETZTGESETZTEN ÄNDERUNGSSTAND ERFAHREN SIE AUF ANFRAGE.</p>																	
<p>OTHERWISE SPECIFIED: ALLGEMEINTOLERANZEN: 0.1 PLC, 0.2 PLC, 0.3 PLC. ANGLES / WINKEL: FINISH / OBERFLÄCHE / FARBE</p>																	
<p>DWN Schneider 09.02.2000 CHK Schweiger 09.02.2000 APVD - PRODUCT SPEC 108-74007 APPLICATION SPEC 114-74009 WEIGHT - CUSTOMER DRAWING / KUNDENZEICHNUNG</p>																	
<p>Female insert HA.16.BU.C/S SIZE A2 CAGE CODE 00779 DRAWING NO. 1103417 SCALE 1:1 SHEET 1 OF 1 REV D3</p>																	